

HIGH CAPACITY SCREENING



SCREENPRO S18 TRACK SCALPER

HIGH CAPACITY SCREENING

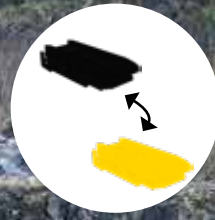




**HIGH CAPACITY
SCREENING**



**INCREASED SCREENING
VERSATILITY**



**INTERCHANGEABLE
SCREENS**



**EASILY
TRANSPORTED**



**KEY
FACTS**

WEIGHT
43 / 48.1
(T/UST)

POWER
129 / 173
(kW/HP)

SCREEN SIZE
5.4X1.75 / 18'X6'
(m/ft)

SCREENPRO S18

FEATURES & BENEFITS



The EDGE SCREENPRO **S18** heavy duty scalping screen combines high production rates with precision screening. Incorporating a highly aggressive 18'X6' (5.4X1.75m) two deck screen with interchangeable flip flow and conventional scalper screens, the EDGE **S18** is a highly flexible screening solution that can handle the most difficult and demanding of applications including: aggregate, construction waste, sand and gravels, soils and organic materials.

With numerous screen media options and configurations available, the SCREENPRO **S18** can be utilised as a stand alone unit or if needed, placed before or after a primary crusher.

Impressive design features include, a low level feed hopper, 2 or 3 way split configuration, hydraulic folding discharge conveyors to facilitate the quick transition from operation to transport and a fully integrated power unit with large service access. A user-friendly control system with sequential start/stop functionality provides exceptional operational performance and unit safety.





KEY HIGHLIGHTS

- Robust 18'X6' (5.4X1.75m) 2 deck screen box with interchangeable scalping and FreeFlow screen boxes.
- Intelligent modular top deck system allowing numerous media types to be installed side by side.
- High capacity feeder with intelligent load management regulates the flow of material to the screen box.
- User friendly control system with a one-touch sequential start / stop facility.
- Compatible for 2-way or 3-way split configurations.
- Flexible screen angle adjustment to suit various applications.
- Reversible side conveyors allow operators to easily switch discharge positions.
- Offering the widest conveyor belts in its class, the **S18** provides optimal material flow and high production capacity.

SCREENPRO S18

DESIGN FEATURES

Large hopper complete with a 1400mm (55") heavy duty feeder with intelligent load management system

5.4X1.75m (18'X6) Two Deck Screenbox.
Choose between 2 different screen box types to suit your application

Hydraulic folding hopper extensions and spilt rear door for loading on all three sides

Intelligent modular top deck system allowing numerous media types to be installed side by side

1050mm (42") wide fines conveyor provides a discharge of up to 4.1m (13'6")

User friendly control system with a one-touch sequential start / stop facility for easy operation

Hydraulic adjustable screen angle from 12 to 18°

4.2m (13'8") two speed, remote controlled tracks for easy on site mobility

Enables for one man operation with all main functions controlled via wireless remote

Hydraulic screen jack up functionality provides excellent access to bottom deck screen media

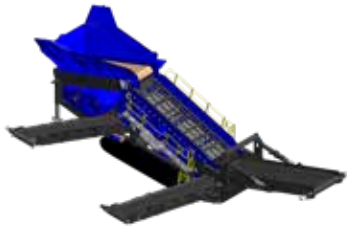




2 Way Spilt Mode



3 Way Standard Mode



3 way spilt - Reverse Side Conveyor Mode

1050mm (42") mid-size conveyor provides a maximum discharge height of up to 4.1m (13' 6")

1600mm (63") wide, variable speed oversize conveyor with hydraulic angle adjustment. Lowers to 5° to facilitate screen media exchange



SCREENPRO S18

MATERIAL FLOW

Designed to allow for a consistent material flow, the SCREENPRO S18 offers enhanced energy efficiency, reduced wear, high throughput and optimised material separation.

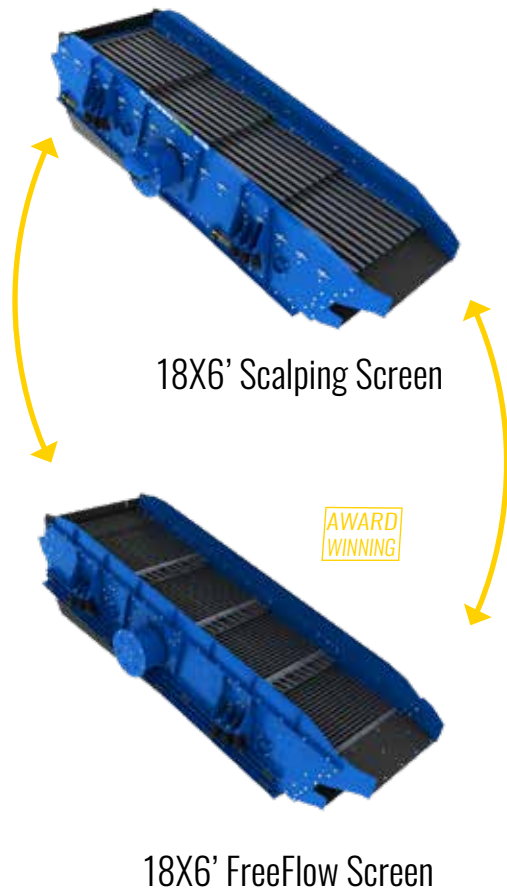
The EDGE S18 offers the largest hopper capacity in its class, encompassing a 1400mm (55") wide, variable speed feeder with forward and reverse functionality. A large feed opening ensures optimum flow of material to the scalping screen whilst EDGE's intelligent load management system regulates material feed resulting in superior uptime by eliminating material overload and

ensures optimum screening production at any given time. This is crucial for applications where continuous operation is essential, as interruptions can result in production delays and increased costs.

Discharge belts with widths of up to 1600mm (63") and variable belt speeds aid in the smooth flow of material reducing the risk of material surges, bottlenecks or unnecessary downtime. With hydraulic variable working discharge heights the SCREENPRO S18 can be utilised as a stand-alone unit or if needed, placed before or after a primary crusher.



THE RIGHT SCREEN FOR EVERY APPLICATION



Transform even the toughest feed material into profit with the EDGE SCREENPRO S18 heavy duty, tracked scalping screen. Thanks to the dynamic design the EDGE SCREENPRO S18 features interchangeable screens with operators having the ability to interchange between EDGE Innovate's award winning flip flow and conventional scalper screens, providing unprecedented flexibility.

This flexibility combined with numerous screen media options and configurations allows the EDGE SCREENPRO S18 to process a wide range of materials and to tackle screening applications that other conventional screens cannot, such as incinerator slag or wet, damp and sticky material.

ORGANICS AUGER



Further enhancing application versatility is EDGE Innovate's Organic Auger. This tried and tested option allows the S18 to easily handle troublesome materials that other units struggle with.



SCREENPRO S18

TECHNICAL SPECIFICATIONS

TRANSPORT DIMENSIONS

Length:	16850mm (55' 4")
Width:	3000mm (9' 11")
Height:	3500mm (11' 5")
Shipping Method:	RoRo
*Gross Weight:	43,000KG (48.1UST)

FEED HOPPER DATA

Hopper Capacity:	12.5m ³ (16.3yd ³) with extensions
Minimum Feed In Height:	3100mm (10' 3")
Hopper Extensions:	Hydraulic Folding
Feed Conveyor Belt Width:	1400mm (55")

SCREEN BOX DATA

Screen Size:	5.4X1.75m (18'X6')
Screen Box Type:	Scalping Screen / FreeFlow Screen
Top Deck:	4 off modular cassettes, side tension / bolted
Bottom Deck:	3 off Fixed End Tension Screen Media
Screen Angle:	12° - 18°

AVAILABLE OPTIONS

LRC Diesel / Hydraulic
 STAGE V Diesel / Hydraulic
 Electric Hybrid
 Dual Power

Scalper Screenbox
 FreeFlow Screenbox
 Various Screen media options
 Apron Feeder

Belt Feeder
 Organics Turning Auger
 Telematics
 Overband Magnet

Dust Suppression
 Chassis Riser
 Emergency Pull Cords

OVERSIZE CONVEYOR DATA

Belt Width:	1600mm (62")
Belt Speed:	Variable
Max. Discharge Height:	4200mm (13' 10") @ 25°

MID-SIZE CONVEYOR DATA

Belt Width:	1050mm (42")
Belt Speed:	Variable
Max. Discharge Height:	3600mm (11' 11") @ 26°

FINES CONVEYOR DATA

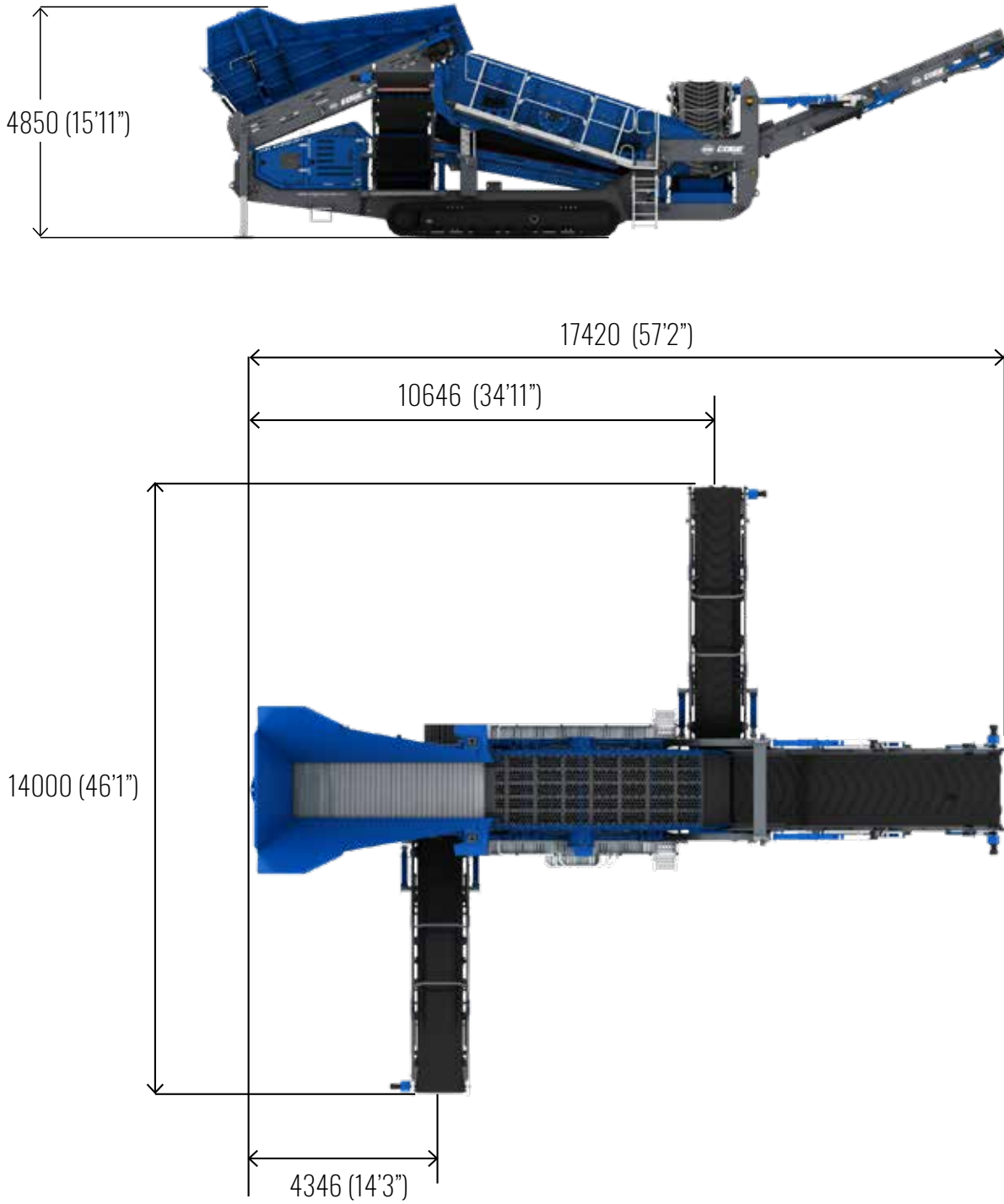
Belt Width:	1050mm (42")
Belt Speed:	Variable
Max. Discharge Height:	4100mm (13' 6") @ 28°

POWERUNIT DATA

Tier 4 Final / STAGE V:	CUMMINS 3.8F 129kW (173hp) / CAT C4.4 110Kw (148HP)
Fuel Tank Capacity:	450 Litres (119USG)

*Gross weight depending on options selected.

SCREENPRO S18 OPERATIONAL DIMENSIONS



AVAILABLE OPTIONS

SCREEN BOX OPTIONS



Scalping Screen - perfect screening solution for large quarrying, mining or recycling applications.

AWARD
WINNING



FreeFlow Screen - robust Scalping top deck, fine screening of difficult material via flip flow bottom deck.



Apron Feeder - for heavier, coarse feed material.



Hydraulic Chassis Jack Legs - supports the feeding of heavier, coarse feeds.



Organics Turner - perfect for the turning, blending and processing of organic materials.



Magnetic Head Drum / Overband Magnets - enables ferrous metal recovery.



Hydraulic Adjustable Screen Blanket - enhance screening efficiency and performance.



Hydraulic Hopper Extensions - increased hopper capacity and loading target area.

ADDITIONAL OPTIONS



Dust Suppression - dramatically reduce dust development.



Telematics - enhance efficiency, safety, and maintenance with real-time data.

POWER SOURCE CONFIGURATIONS

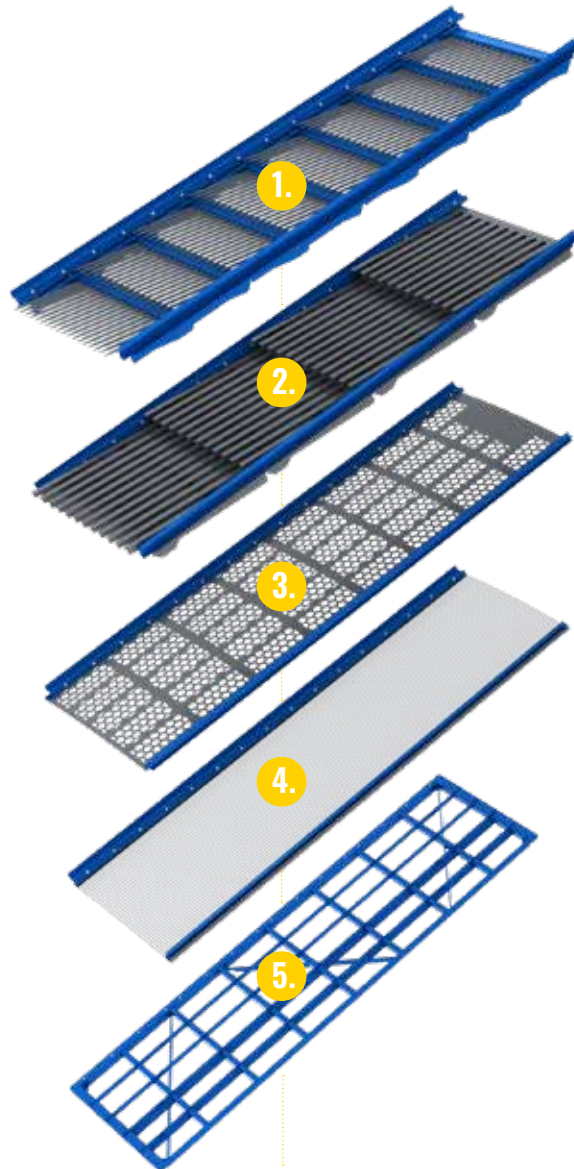


T4F / STAGE V - CUMMINS 3.8F 129kW (173hp) / CAT 4.4 110Kw (148HP) (LRC option also available)

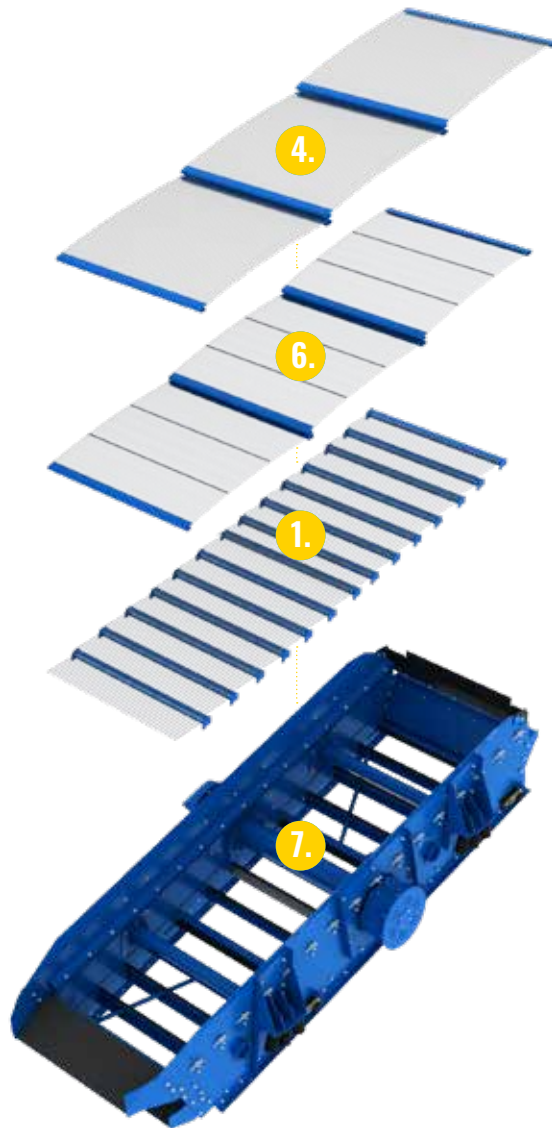


Electric Hybrid - All the advantages of a diesel driven unit in an electric hybrid format.

Top Deck Media Options



Bottom Deck Media Options



1. FINGER SCREEN
2. BOFOR / GRIZZLY DECK

3. PUNCH PLATE
4. WIRE MESH

5. SCREEN FRAME
6. SPEED HARP

7. DOUBLE DECK SCREEN

Different materials and applications require different types of screen media. EDGE Innovate's SCREENPRO S18 offers a range of screen media options for the upper and lower decks, allowing operators to customise their screen to meet their specific needs. Versatility is crucial when dealing with diverse materials like aggregate, gravel, construction waste and more.

Each application has unique characteristics that influence the choice of screen media. Selecting the correct screen media type and combination is critical to ensure optimum screening performance and production capacity.



GO ELECTRIC!

Enjoy significantly reduced operating costs, reduced servicing and time taken to refuel. Perfect for markets where environmental, legislative or noise constraints are enforced.



SCREENPRO S18^E



ELECTRIC DRIVE WITH MOBILITY

All the advantages of a diesel driven S18 screener in an electric hybrid format.



POWER

The S18E offers the same production capacity and screening performance of a diesel / hydraulic driven unit.



PLUG AND SCREEN

Features a quick plug and go set up functionality for safe and simple operation.



REDUCED OPERATING COSTS

Electric-powered equipment can significantly reduce operating costs.



INCREASED UPTIME

With reduced servicing and time required for refuelling, electric powered units provide unbeatable dependability and uptime.



FLEXIBLE SET UP

All set up functions available in both electric or diesel / hydraulic mode.

PRODUCT AND TECHNICAL SUPPORT

TRIED, TESTED & TRUSTED THROUGHOUT THE GLOBE

With our ethos of “**Innovation at Work**” EDGE not only persist in pushing the boundaries of design and manufacturing to produce hard working, quality machinery, we also bring that same ethos to our aftersales service in order to bring real benefits to customers right across the world.

At EDGE we like to see the sales transaction as the start of a long-term partnership. Our goal is to offer the best customer support in the market for the lifetime of the unit. EDGE has reinvested and expanded our aftersales department in order to streamline and provide the customer support we believe our customers deserve.



TECHNICAL ASSISTANCE



PARTS AVAILABILITY



DELIVERY



WARRANTY





**CONTACT US
TODAY.**

30 Farlough Road, Dungannon, Co.Tyrone, BT71 4DT, Northern Ireland

☎ +44(0)2887 740525 ✉ info@edgeinnovate.com 🌐 [edgeinnovate.com](https://www.edgeinnovate.com)

