



**PRECISE. FLEXIBLE.  
SEPARATION**

# **PRECISE. FLEXIBLE.** **SEPARATION**







**4 STAGE  
SEPARATION**



**HIGHLY ADJUSTABLE  
PARAMETERS**



**AIRBORNE  
SEPARATION**





# MC1400 SERIES

## FEATURES & BENEFITS



The EDGE MC1400 material classifier provides operators with the ability to extract impurities from highly contaminated material in just one pass. Utilising controlled air flow as a separation medium, the MC1400 is the ideal solution for the cleaning of compost and C&D waste fractions with its ability to separate heavy fractions from lights. With easily adjustable components such as fan speed, fan position, feed conveyor belt speed and drum spilter positioning; the EDGE MC1400 material classifier has the capacity to handle a wide range of applications.

The Material Classifier allows operators to separate up to four different fractions as standard; lights (plastic, paper, film) mid-weight (wood) and heavy fractions (aggregate, glass, etc.). With ferrous metals being extracted via the magnetic head drum pulley found on the heavy fraction discharge conveyor with the option of attaching an additional magnet to the mid-weight conveyor.

Available as track or static chassis formats, operators have the option of selecting a unit with a diesel/hydraulic power unit or diesel genset.

### KEY HIGHLIGHTS

- Complete airborne material separation provides superior separation.
- Vacuum option can be disabled and closed off for applications where light plastics extraction is not required.
- Extremely wide feed conveyor provides an even spread of material for efficient separation.
- Enclosed design helps control air flow and minimises air depressurisation whilst minimising dust creation.



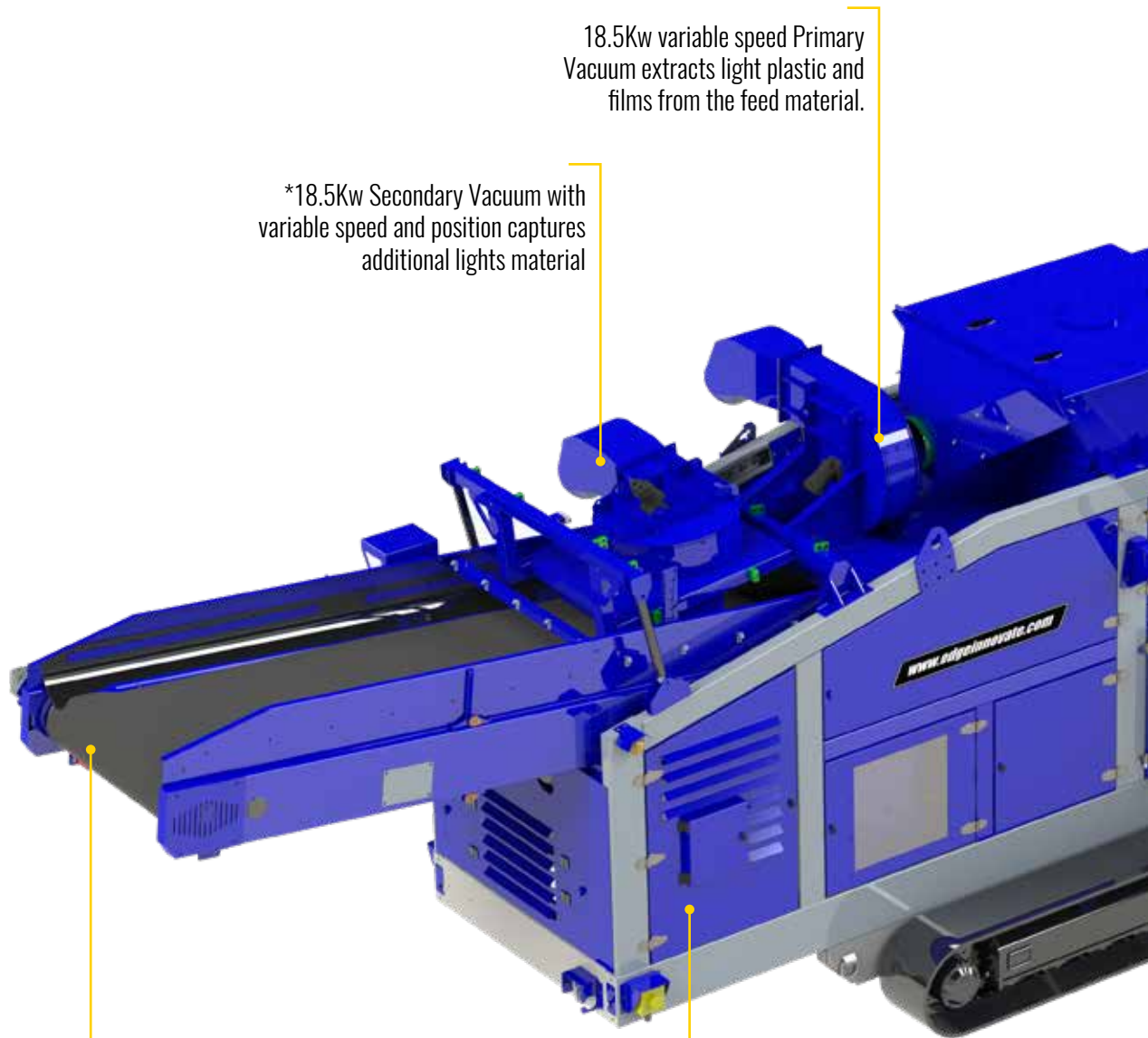


**SUPERIOR  
SEPARATION**





# MC1400 SERIES DESIGN FEATURES



18.5Kw variable speed Primary Vacuum extracts light plastic and films from the feed material.

\*18.5Kw Secondary Vacuum with variable speed and position captures additional lights material

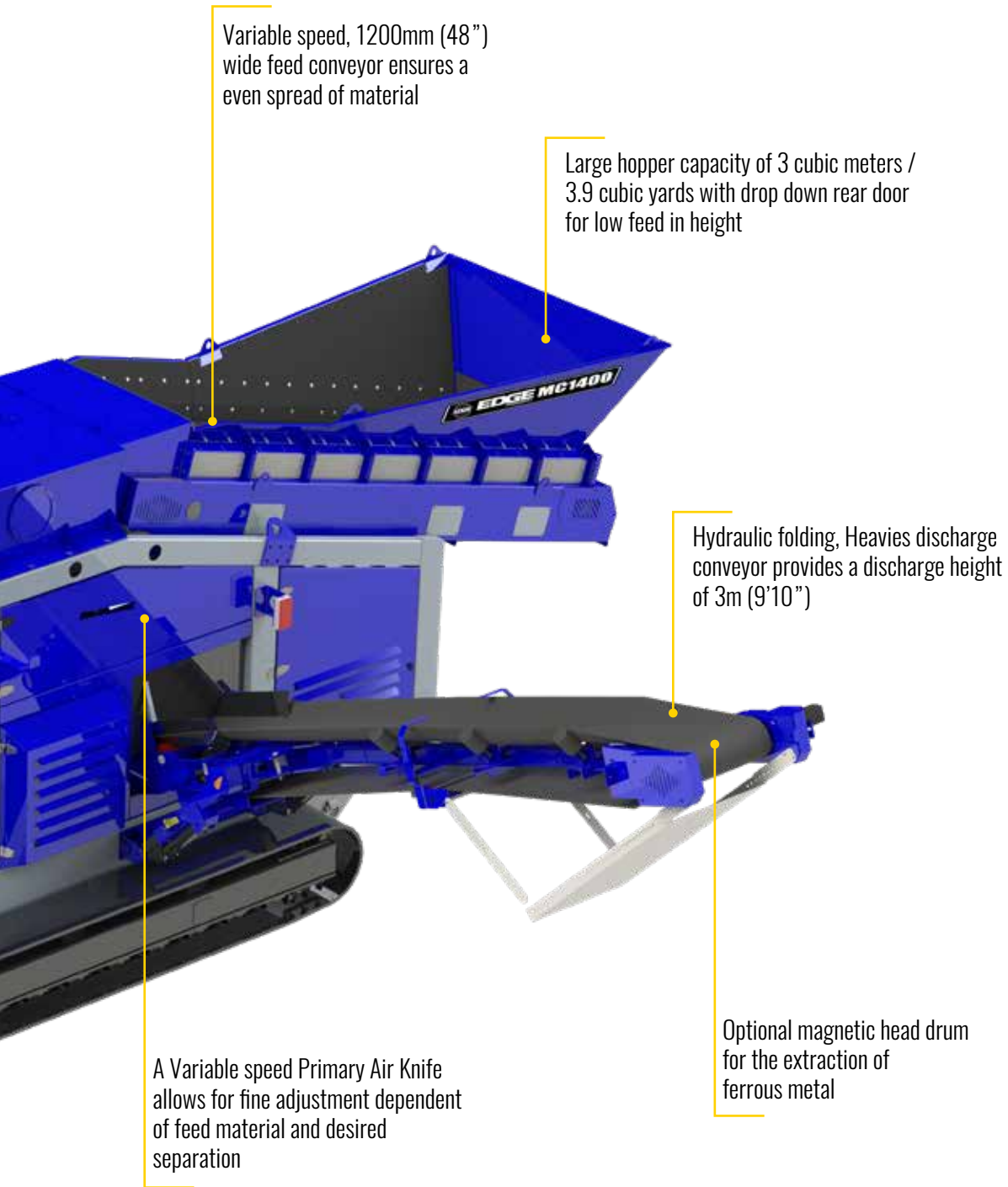
Mid-weight discharge conveyor provides a discharge height of 2.6m (8'6"). Optional magnetic head drum available

Diesel Genset or Diesel/Hydraulic power-sources available. Choose between LRC or Tier 4 Final options



Radio tracking remote available for quick and easy repositioning or site relocation

\*Vacuum Fan output changes depending on power-source selected



Variable speed, 1200mm (48") wide feed conveyor ensures an even spread of material

Large hopper capacity of 3 cubic meters / 3.9 cubic yards with drop down rear door for low feed in height

Hydraulic folding, Heavies discharge conveyor provides a discharge height of 3m (9'10")

A Variable speed Primary Air Knife allows for fine adjustment dependent of feed material and desired separation

Optional magnetic head drum for the extraction of ferrous metal

## APPLICATIONS

COMPOST OVERSIZE



C&D WASTE



GLASS CLEAN UP



RDF / SRF



# MC1400 SERIES

## TECHNICAL SPECIFICATIONS

### TRANSPORT DIMENSIONS

---

Length:	11899mm (39')
Width:	2700mm (8'9")
Height:	3396mm (11'1")
Container Shipping Method:	RoRo / 40ft Container
Gross Weight (Est):	16200KG (17.8UST)

### AIR KNIFE & VACUUM DATA

---

Primary Air Knife:	7.5Kw
Primary Vacuum Fan:	18.5Kw
Secondary Vacuum Fan:	15Kw

### HOPPER & FEEDER DATA

---

Hopper Capacity:	3m <sup>3</sup> (4yd <sup>3</sup> )
Loading Height:	3000mm (9'9")
Belt Width:	1200mm (48")
Conveyor Length:	3900mm (12'9")
Belt Speed:	Variable

### MID-WEIGHT CONVEYOR DATA

---

Conveyor Length:	6600mm (21'7")
Belt Width:	1200mm (48")
Belt Speed:	Variable

### AVAILABLE OPTIONS

---

Tracked unit	Lights Discharge Chute
Static Unit	Radio Remote
Diesel Genset	Central Auto-Lube System
Tier 4 Final / Stage V Engine	Jost Landing Legs (Static Option)
LRC Engine	Hopper Wear Liners
Magnetic Head drum & Chute	

### HEAVIES CONVEYOR DATA

---

Conveyor Length:	6000mm (19'8")
Belt Width:	650mm (26")

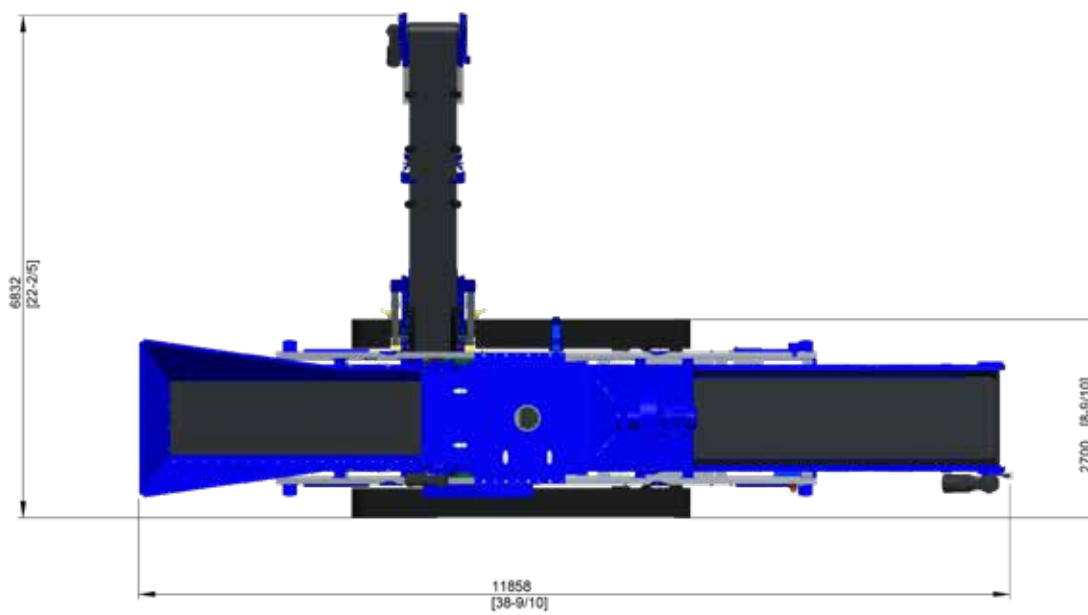
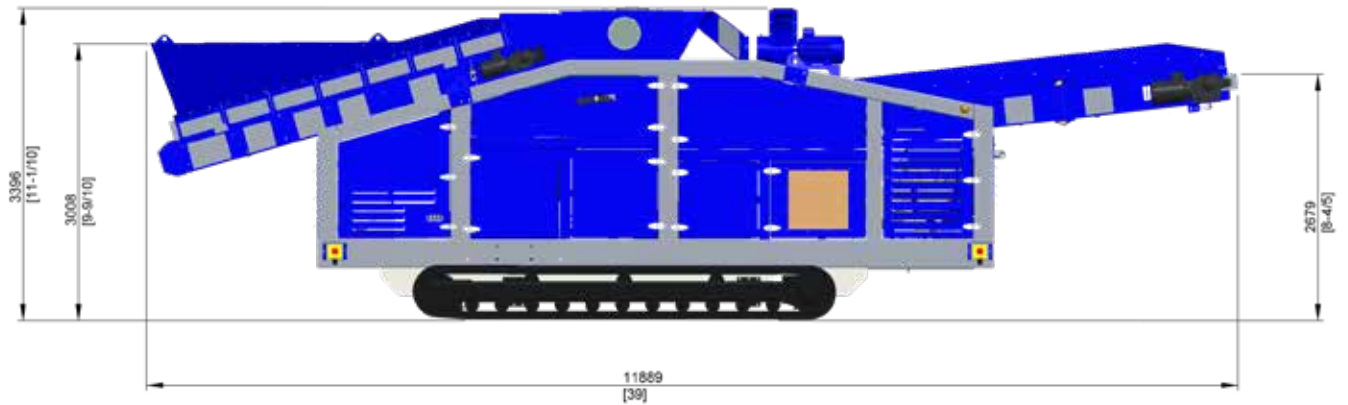
### POWERUNIT DATA

---

Genset:	87.5kva Diesel Genset
LRC Engine:	CAT C4.4 98Kw (131HP)
Tier 4 Final / Stage 5:	CAT C4.4 129Kw (173HP)



**MC1400 OPERATIONAL DIMENSIONS**



\*Designed to be shipped by road or by sea via a 40ft shipping container



# AVAILABLE OPTIONS

## CHASSIS FORMATS



Tracked Mounted - Fully tracked for on-site manoeuvrability



Static Mounted

## POWER-SOURCE CONFIGURATIONS



Diesel Genset - 87.5KVA LRC / 115KVA Tier 4 Final



LRC Engine - Caterpillar C4.4 98Kw (130HP)



Tier 4 Final / Stage 5 - Caterpillar C4.4 129Kw (173HP)

## ADDITIONAL SEPARATION



Magnet Head Drum and Chute (Heavies) - Extract ferrous metal from waste stream



Magnet Head Drum and Chute (Mid-Weight) - Ferrous metal extraction

## ADDITIONAL OPTIONS



Radio Remote Tracking



Jost Landing Legs



Central Auto-lube System



Hopper Wear Liners

Additional customisation is available upon request. Speak to your nearest EDGE distributor for details.



# PRODUCT AND TECHNICAL SUPPORT

## TRIED, TESTED & TRUSTED THROUGHOUT THE GLOBE

With our ethos of **"Innovation at Work"** EDGE not only persist in pushing the boundaries of design and manufacturing to produce hard working, quality machinery; we also bring that same ethos to our aftersales service in order to bring real benefits to customers right across the world.

At EDGE we like to see the sales transaction as the start of a long-term partnership. Our goal is to offer the best customer support in the market for the lifetime of the unit. EDGE has reinvested and expanded our after-sales department in order to streamline and provide the customer support we believe our customers deserve.



**TECHNICAL ASSISTANCE**



**PARTS AVAILABILITY**



**DELIVERY**



**WARRANTY**







**CONTACT US  
TODAY.**



30 Farlough Road, Dungannon, Co.Tyrone, BT71 4DT, Northern Ireland

+44(0)2887 740525 info@edgeinnovate.com edgeinnovate.com